

7TH & A LATERAL DRAINAGE IMPROVEMENTS CITY OF BENTONVILLE

BENTONVILLE, ARKANSAS

SEPTEMBER 2021



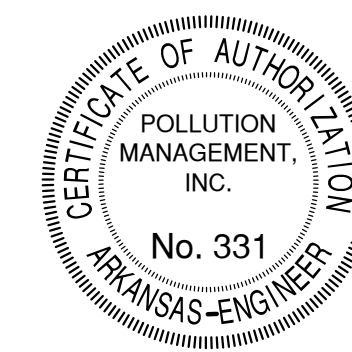
INDEX OF DRAWINGS	
SHEET #	SHEET TITLE
C1	COVER SHEET
C2	GENERAL NOTES AND QUANTITIES
C3	PLAN SHEET (1)
C4	PLAN AND PROFILE SHEET (1)



Know what's below.
Call before you dig.



PROJECT NO. BENV-12306



60% SUBMITTAL

PMI BENV-12306			
SOUTHEAST 7TH & A LATERAL			
CITY OF BENTONVILLE			
Item		Units	Estimated
No.	Item Description		Quantity
1	DEMOLITION	LS	1
2	SITE PREPARATION	LS	1
4	CONCRETE DRIVEWAY (6" THICK)	SF	1000
5	CONCRETE CURB AND GUTTER (CLASS)	LF	3100
6	WING 3' EXTENSION	EA	420
7	CURB INLET - 4' BOX	EA	8
10	REBUILD INLET TOP	EA	1
11	TRENCHING 0-6 FEET	LF	1340
12	TRENCHING 6-8 FEET	LF	260
13	STORM DRAIN PIPE, 18" CROSS DRAIN	LF	1
14	STORM DRAIN PIPE, 42" SIDE DRAIN	LF	1560
15	TIE INTO EXISTING JUNCTION BOX	EA	1
16	SOLID SODDING, SPECIAL	SY	3
17	MAINTENANCE OF TRAFFIC	LS	2
18	PAVEMENT REPAIRS	SY	24
19	FINAL CLEANUP	LS	24
20	SILT FENCE TYP A (SFA)	LF	22

GENERAL NOTES:

1. THE CONTRACTOR SHALL OBTAIN ALL PERMITS REQUIRED BY LOCAL, CITY, COUNTY, STATE, OR OTHER JURISDICTION, INCLUDING BUILDING PERMITS, STAA, AND SWPPP, AND PAY ALL THE FEES FOR SUCH PERMITS BEFORE START OF ANY CONSTRUCTION ACTIVITIES.
2. CAUTION: UNDERGROUND UTILITIES ARE WITHIN AND ADJACENT TO THE LIMITS OF CONSTRUCTION. AN ATTEMPT HAS BEEN MADE TO LOCATE THESE UTILITIES ON THE PLANS. HOWEVER, ALL EXISTING UTILITIES MAY NOT BE SHOWN, AND THE ACTUAL LOCATIONS OF THE UTILITIES MAY VARY FROM THE LOCATIONS SHOWN. PRIOR TO BEGINNING ANY TYPE OF EXCAVATION, THE CONTRACTOR SHALL CONTACT THE UTILITIES INVOLVED AND MAKE ARRANGEMENTS FOR THE LOCATION OF THE UTILITIES ON THE GROUND. THE CONTRACTOR SHALL MAINTAIN THE UTILITY LOCATION MARKINGS UNTIL THEY ARE NO LONGER NECESSARY.
3. ARKANSAS STATE LAW, THE UNDERGROUND FACILITIES DAMAGE PREVENTION ACT, REQUIRES TWO WORKING DAYS ADVANCE NOTIFICATION THROUGH THE ARKANSAS ONE-CALL SYSTEM CENTER BEFORE EXCAVATING USING MECHANIZED EQUIPMENT OR EXPLOSIVES (EXCEPT IN THE CASE OF AN EMERGENCY). THE ONE-CALL SYSTEM PHONE NUMBER IS 1-800-482-8998. THE CONTRACTOR IS ADVISED THAT THERE IS A SEVERE PENALTY FOR NOT MAKING THIS CALL. NOT ALL UTILITY COMPANIES ARE MEMBERS OF THE ARKANSAS ONE-CALL SYSTEM; THEREFORE, THE CONTRACTOR IS ADVISED TO CONTACT ALL NON-MEMBER UTILITIES AS WELL AS THE ONE-CALL SYSTEM.
4. THE CONTRACTOR SHALL FIELD VERIFY THE DEPTHS OF ALL SEWER LINES, WATER LINES, STORM DRAINS, AND OTHER UTILITIES.
5. IT IS THE CONTRACTOR'S RESPONSIBILITY TO ADEQUATELY PROTECT ALL EXISTING UTILITIES DURING CONSTRUCTION.
6. THE CONTRACTOR SHALL TAKE WHATEVER SPECIAL MEASURES NECESSARY SO THAT OVERLAND DRAINAGE IS NOT IMPEDED BY CONSTRUCTION ACTIVITIES. THIS MAY INCLUDE FILLING AND GRADING OR MAY INCLUDE CONSTRUCTING SWALES OR OTHER MEANS OF DRAINAGE. IN ALL CASES, THE WORK AND FINAL INSTALLATION SHALL NOT IMPOUND DRAINAGE. FLOODING DAMAGE SHALL BE MADE AT CONTRACTORS EXPENSE.
7. THIS WORK SHALL CONSIST OF DEMOLISHING EXISTING STORM SEWER STRUCTURES AND INSTALLING NEW STORM SEWER PIPING AND INFRASTRUCTURE AS ADDRESSED IN THE UNIT PRICE SCHEDULE AND/OR ON THE PLANS, AND PERFORMING ANY AND ALL OTHER WORK INCIDENTAL THERETO. THE CONTRACTOR SHALL, UNLESS OTHERWISE SPECIFIED, FURNISH ALL LABOR, TOOLS, AND EQUIPMENT NECESSARY TO COMPLETE THE PROJECT. NO SEPARATE PAYMENT WILL BE MADE FOR THOSE MATERIALS OR WORK REQUIRED TO MAKE A COMPLETE, OPERABLE, AND ACCEPTABLE INSTALLATION AS SHOWN ON PLANS OR INDICATED IN THESE SPECIFICATIONS, EXCEPT AS SHOWN ON THE UNIT PRICE SCHEDULE. ANY MATERIALS AND/OR WORK NOT ITEMIZED IN THE UNIT PRICE SCHEDULE OR ADDRESSED IN THE PLANS OR SPECIFICATIONS, BUT NONETHELESS REQUIRED FOR A COMPLETE, OPERABLE, AND ACCEPTABLE INSTALLATION, SHALL BE CONSIDERED SUBSIDIARY TO THE MOST CLOSELY ASSOCIATED BID ITEM AND THE COST THEREOF INCLUDED IN THAT ITEM'S BID PRICE.
8. IN SUBMITTING A BID ON THIS PROJECT, IT SHALL BE THE CONTRACTOR'S SOLE RESPONSIBILITY TO INSPECT THE STORM SEWER PIPE ROUTE AND TO CONSIDER THE DIFFICULTIES, CONSTRAINTS, AND SPECIAL ATTENTION NEEDED TO COMPLETE THE PROJECT.
9. THE CONTRACTOR SHALL UTILIZE FLAGGERS PER THE MOST RECENT VERSION OF THE MANUAL ON UNIFORM TRAFFIC CONTROL DESIGN (MUTCD) STANDARDS AND GUIDES FOR TRAFFIC CONTROL WHEN PORTIONS OF ROADS ARE CLOSED DUE TO UTILITY CONSTRUCTION.

SUBMITTED FOR REVIEW

GENERAL NOTES AND QUANTITIES

DRAINAGE IMPROVEMENTS
SOUTHEAST 7TH & A LATERAL
CITY OF BENTONVILLE
BENTONVILLE, ARKANSAS

SHEET TITLE:

PROJECT TITLE:

REVISIONS:		NO.	DATE	DESCRIPTION	BY:

CIVIL ENGINEERING AND ENVIRONMENTAL SERVICES
3612 SOUTH SHACKLEFORD RD
LITTLE ROCK, ARKANSAS 72205
PH: (501) 221-7122 FX: (501) 221-7775

DESIGNED BY: JDM DATE: SEPT. 17, 2021
DRAWN BY: JDM SCALE: NTS
CHECKED BY: BJW

FILE: L:\BENTONVILLE, CITY OF\BENV-12306 - SE 7TH AND A LATERAL\BENV-12306 SCHEMATIC - 60%DWG

JOB NUMBER:
BENV-12306

SHEET NUMBER:
C2

60% SUBMITTAL

SUBMITTED FOR REVIEW

PLAN SHEET (1)
DRAINAGE IMPROVEMENTS
SOUTHEAST 7TH & A LATERAL
CITY OF BENTONVILLE
BENTONVILLE, ARKANSAS

SHEET TITLE:
PROJECT TITLE:

NO.	DATE	REVISIONS:	DESCRIPTION:	BY:

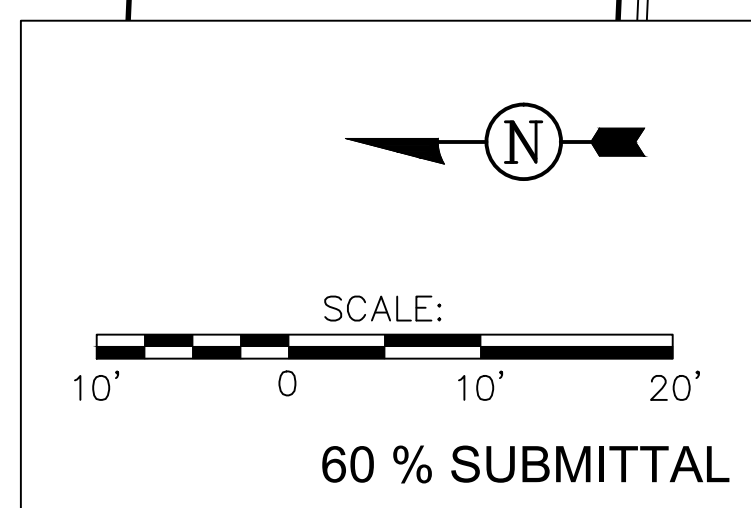
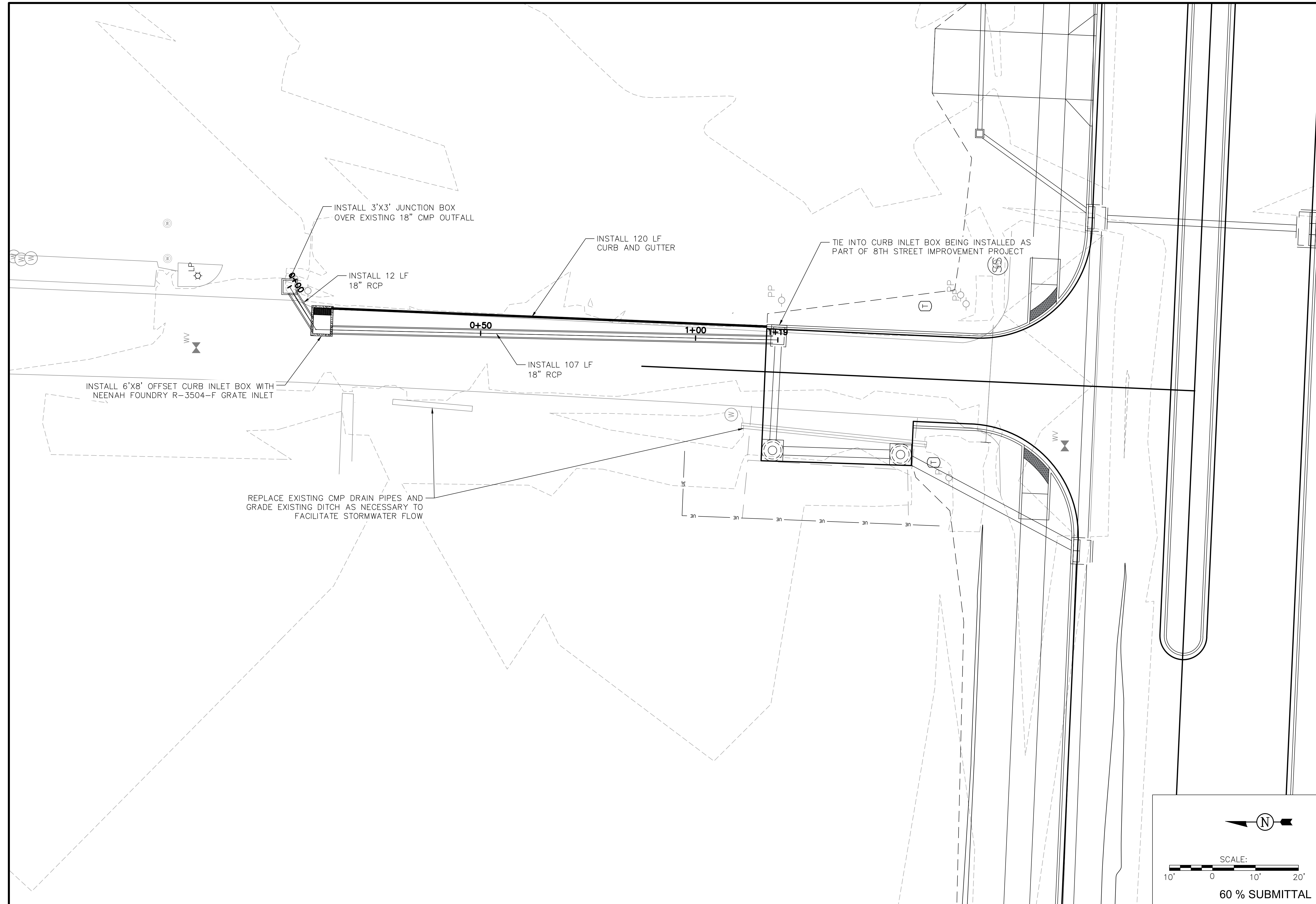
CIVIL ENGINEERING AND ENVIRONMENTAL SERVICES
3612 SOUTH SHACKLEFORD RD
LITTLE ROCK, ARKANSAS 72205
PH: (501) 221-7122 FX: (501) 221-7775

DESIGNED BY: JDM DATE: SEPT 17, 2021
DRAWN BY: JDM
CHECKED BY: BJW SCALE: 1" = 10'

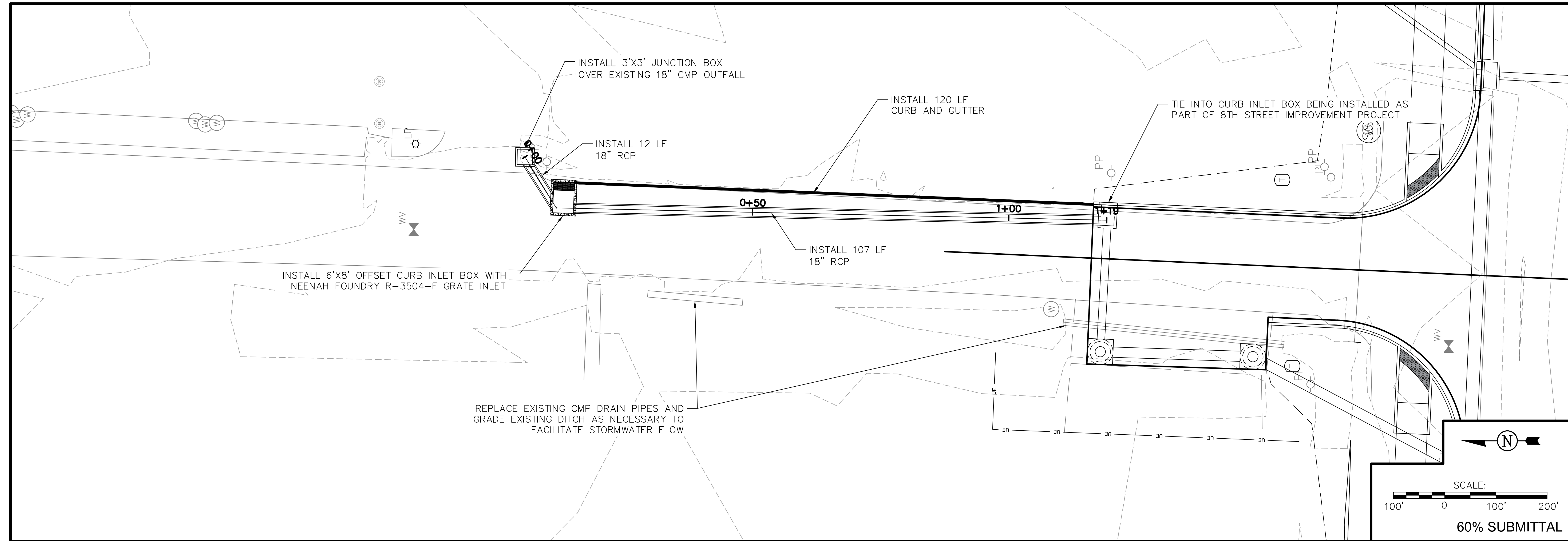
FILE: L:\BENTONVILLE, CITY OF\BENV-12306 - SE 7TH AND A LATERAL\BENV-12306 SCHEMATIC - 60%DWG

JOB NUMBER:
BENV-12306

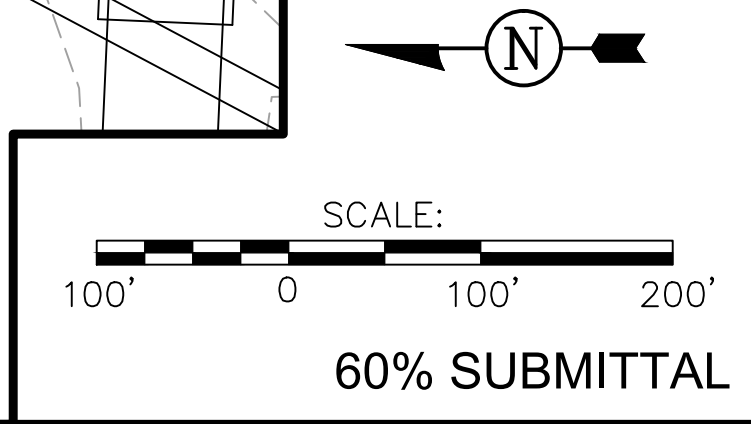
SHEET NUMBER:
C3



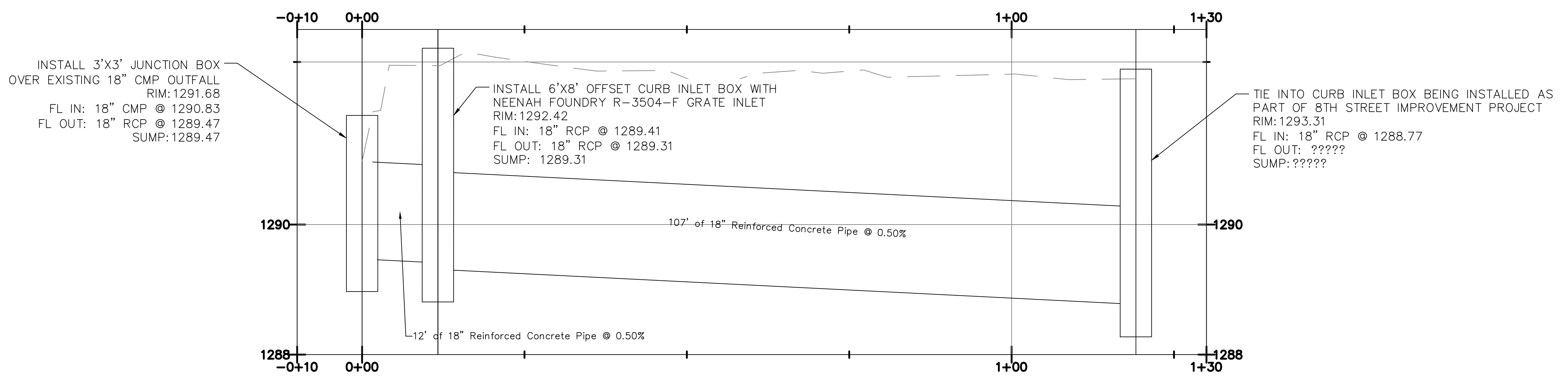
SUBMITTED FOR REVIEW



PLAN SHEET (1)
 DRAINAGE IMPROVEMENTS
 SOUTHEAST 7TH & A LATERAL
 CITY OF BENTONVILLE
 BENTONVILLE, ARKANSAS



7TH STORM PROFILE



REVISIONS:		NO.	DATE	DESCRIPTION	BY:
CIVIL ENGINEERING AND ENVIRONMENTAL SERVICES 3612 SOUTH SHACKLEFORD RD LITTLE ROCK, ARKANSAS 72205 PH: (501) 221-7122 FX: (501) 221-7775		DESIGNED BY: JDM	DATE: SEPT 17, 2021		
		DRAWN BY: JDM	SCALE: 1" = 10'		
		CHECKED BY: BJW			
JOB NUMBER: BENV-12306					
SHEET NUMBER: C3					